

INDUSTRIAL GASOLINE/LPG/NATURAL GAS ENGINE

KUBOTA WG SERIES (4-cylinder)

# WG2503-G/L/N-E3

## RATED POWER

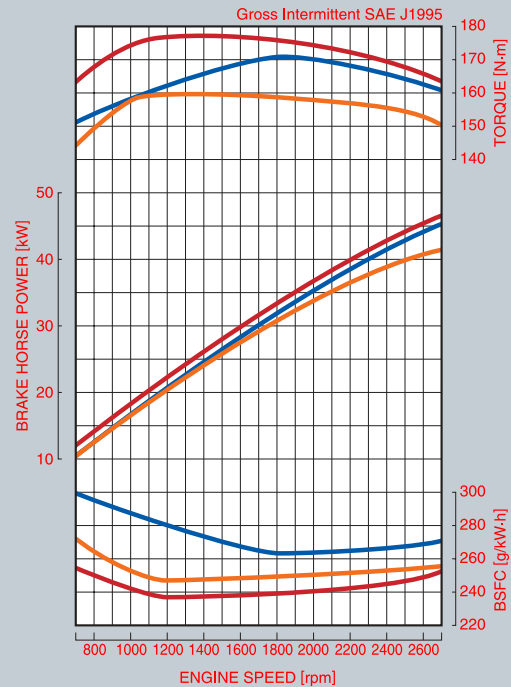
- 45.5kW @ 2700rpm(GASOLINE)
- 46.0kW @ 2700rpm(LPG)
- 42.4kW @ 2700rpm(NATURAL GAS)



This engine model is also available with Dual Fuel (Gasoline and LPG).

Dual Fuel Version Shown.

## PERFORMANCE CURVES



## FEATURES and BENEFITS

### Emission

Kubota's WG2503-G/L/N-E3 engines have been designed to comply with the most stringent emission regulations: The EPA Tier 2 and CARB Tier 3.

### Fuel Flexibility

Installation compatibility between SI and CI engines is a good solution for customers who need fuel flexibility for their products. The Kubota WG2503 has a gasoline version, LPG version, natural gas version and dual fuel (gasoline and LPG) version.

### Durability and Reliability

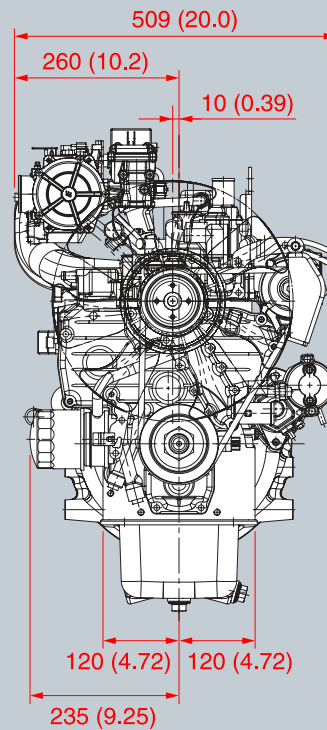
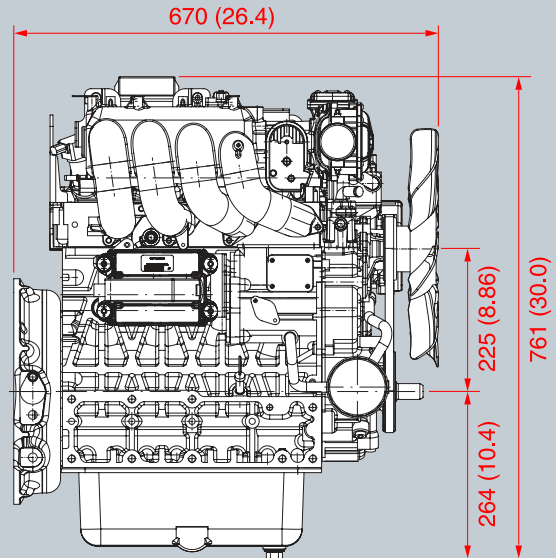
Kubota's WG2503 SI engines are designed after the Kubota 03 Series diesel (CI) engines. It has same footprint as with V2403 diesel and similar performance to turbo diesel, which are known worldwide as reliable industrial engines. The Kubota WG2503 engines offer very low vibration and are exceptionally quiet.

# KUBOTA WG SERIES WG2503-G/L/N-E3

## GENERAL SPECIFICATIONS

Model		WG2503-G-E3	WG2503-L-E3	WG2503-N-E3
Emission Regulation	EPA Tier 2, CARB Tier 3			
Type	Vertical 4-cycle Liquid Cooled Engine			
	Gasoline use	LPG use	Natural gas use	
Number of Cylinders	4			
Bore	mm (in)	88.0 (3.46)		
Stroke	mm (in)	102.4 (4.031)		
Displacement	L (cu.in)	2.491 (152.0)		
Fuel		Unleaded gasoline	Commercial LPG	Natural gas
Aspiration	Naturally Aspirated			
Maximum Speed	rpm	2700		
Output: Gross Intermittent SAE J1995	kW	45.5	46.0	42.4
	HP	61.0	61.7	56.9
	ps	61.9	62.5	57.6
Direction of Rotation	Counter clockwise viewed from flywheel side			
Oil pan capacity	L (u.s.gal)	9.5 (2.5)		
Starter Capacity	V-kW	12-2.0		
Alternator Capacity	V-A	12-40		
Length	mm (in)	670 (26.4)		
Width	mm (in)	509 (20.0)		
Height (1)	mm (in)	761 (30.0)		
Height (2)	mm (in)	264 (10.4)		
Dry Weight	kg (lb)	212 (467)		

## DIMENSIONS



Dual Fuel Version Shown.

\*Specification is subject to change without notice.  
 \*Dimensions and dry weight are according to Kubota's standard specifications.  
 Dimensions and weight depend on completed specifications.  
 \*LPG: Commercial liquid propane gas only. Equivalent to propane HD-5 of GPA standards.  
 \*Natural gas: The performance shown is with Japanese standard natural gas.  
 The lower heating value: 9699 kcal/m<sup>3</sup> (1090 BTU/ft<sup>3</sup>)



### KUBOTA Engine America Corporation

505 Schelton Road, Lincolnshire, IL 60069  
 Phone: 847-955-2500 Fax: 847-955-2699  
[www.kubotaengine.com](http://www.kubotaengine.com)