

(

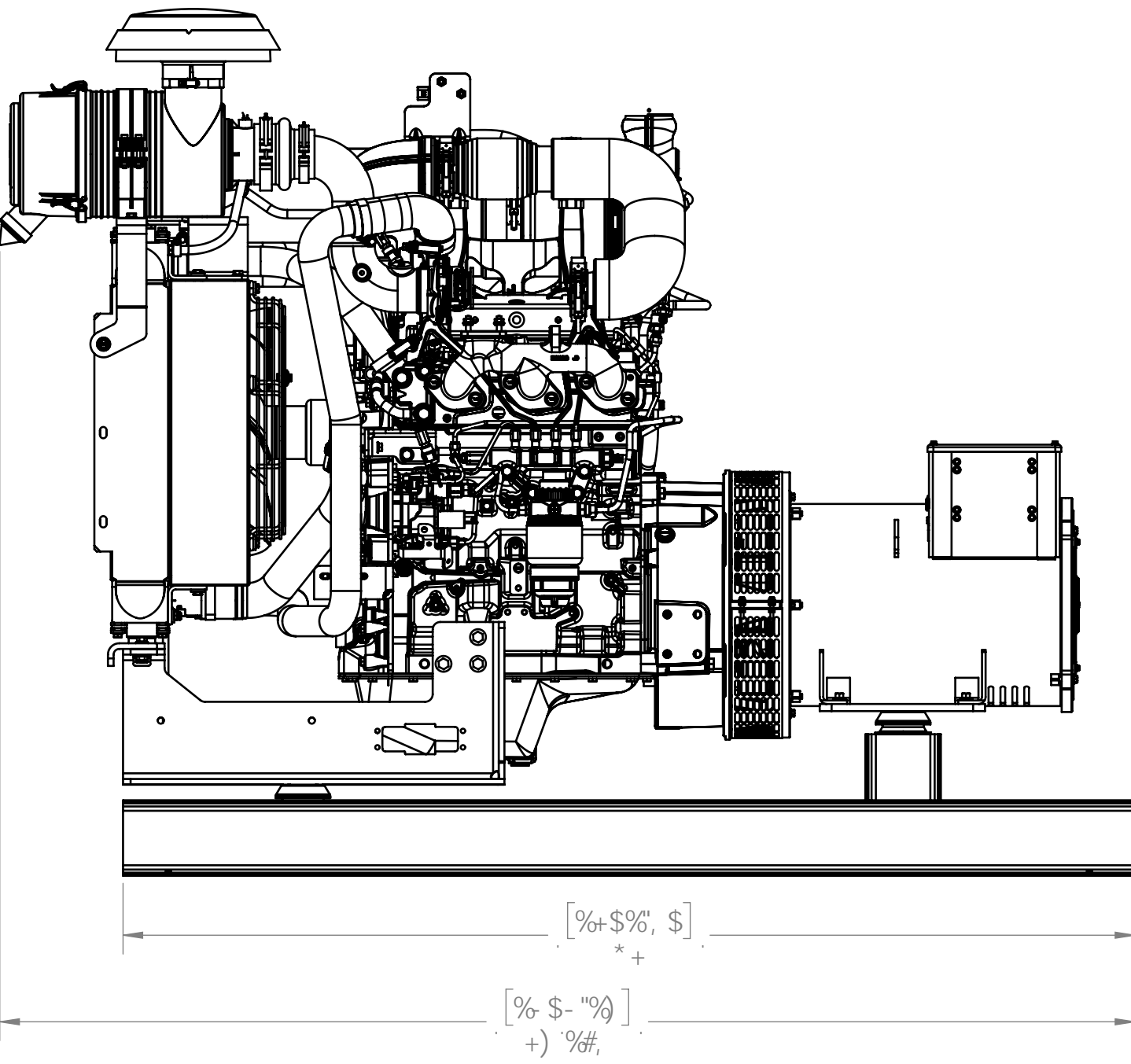
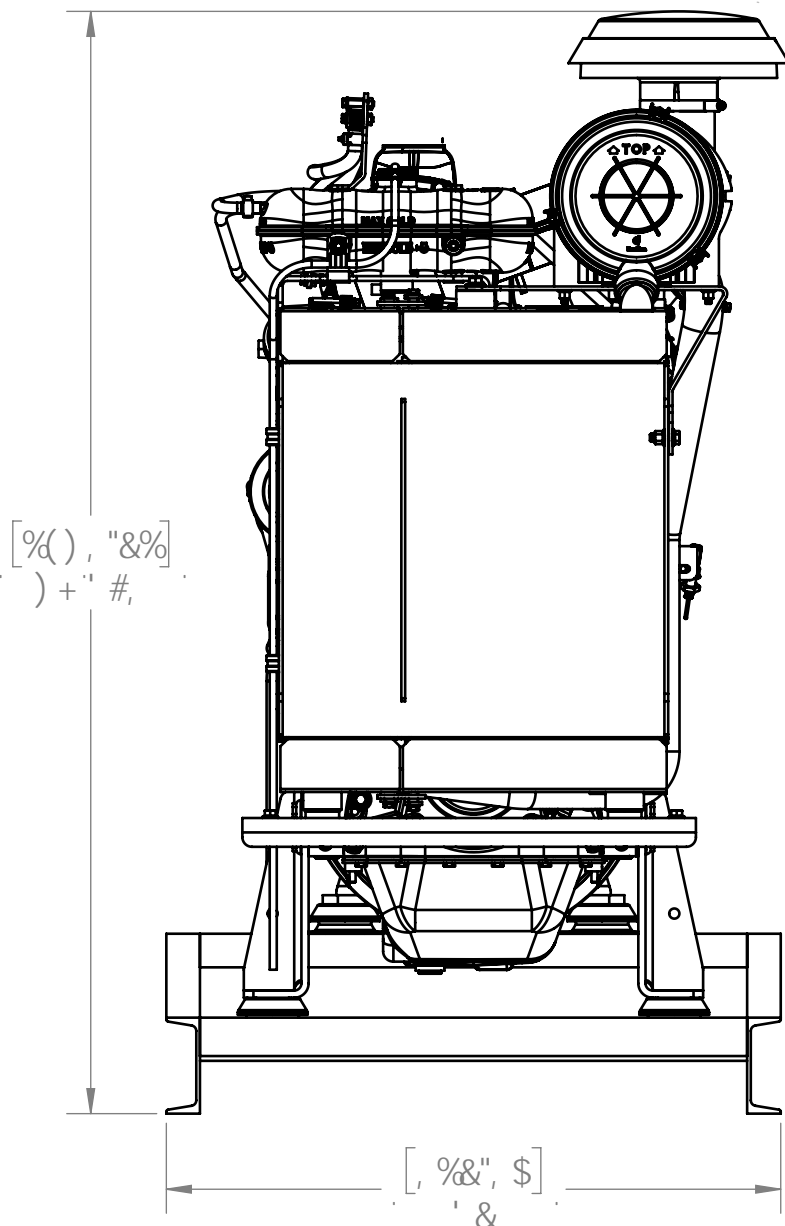
&

%

F9J G€ BG			
F9J "	89G7 F DHC B	85H9	5DDFC J 98
%	B #H5 @F9@95 G9	%&#, #&\$&\$!

6

6



5

5

A 5GG '% ' + '@

8 A 9BG€ BGG 6>97 HHC '7 <5B; 9'K #kC I HBC H7 9
 8 A 9BG€ BG-B : CFA 5H-B 'QA A Q

I B @9GC H: 9FK €9
 GD97 ≠ 98.
 I B #G B7 < 9G
 HC @F5B 7 9G
 L ± '\$' %
 L'L ± '\$' \$)
 L'LL ± '\$' \$%
 L'LLL ± '\$' \$\$)
 L #L ± '%& # &
 5B; I €5F ± '\$' %

bZcfa UHcb 'b h.Y XcW a Ybh]gdfcdfYUfm
 UbX]gbchc VY fYdfcXi WwXzX]gf]vi fYXzcf
 X]gWcgYX YI WwdhUgigdYwZwU'mUi h.c f]hYX'
]b k f]b['Vmi fcbhYfDck YfDfcXi Wg]l @ "
 8YUJZ67 27 UbUXU % , ++ (-1) ' %
 9Xa cbrcbz5627 UbUXU % , ++ (1) 1&& \$
 7 U[Ufuz5627 UbUXU % , ++ +&S! ' +)
 K]bb]y[ZA 627 UbUXU % , ++ (-1) & "



k k k 'ZcbhYfdck YfVca

HHC9	
>8G (\$!H)	
8K: " BC"	F9J
: ; 5!% \$, * +	
8F5K B.	85H9.
7 < 97 ? 98.	85H9.
5DDFC J 98.	85H9.
K 9≠ < H	G7 5@. % %\$ G< 99H % # %

(

&

%