

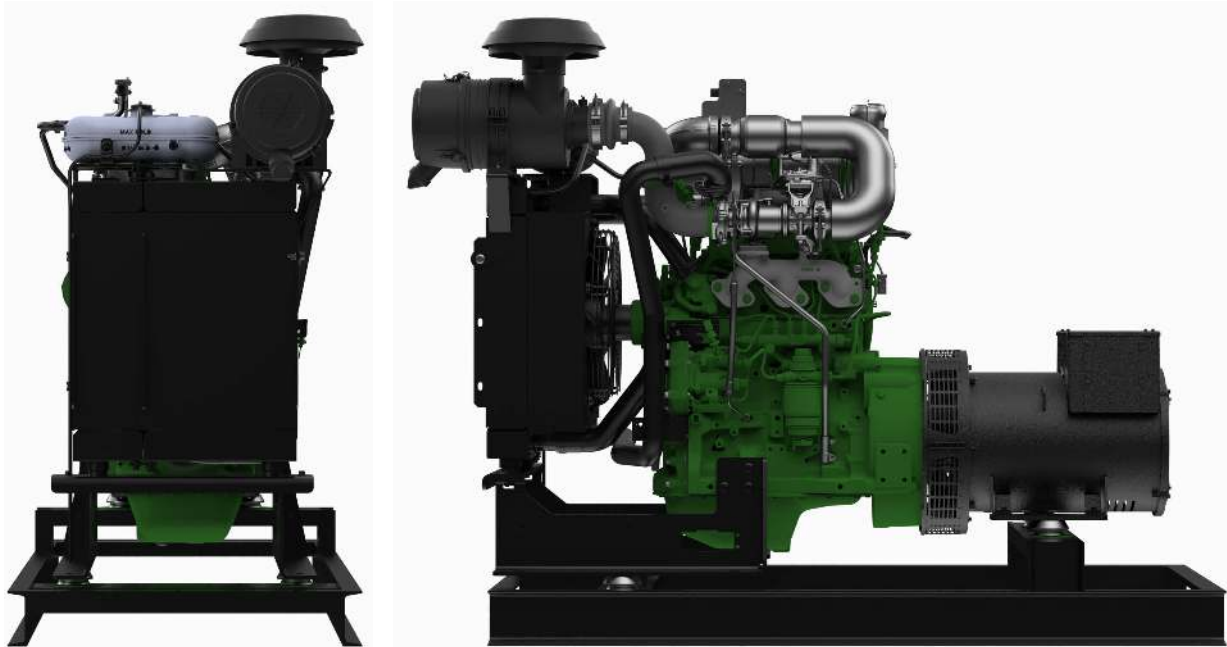


JOHN DEERE

STAMFORD

www.frontierpower.com

# JDS40-T4



## ENGINE

Manufacturer	John Deere
Model	3029HFG03
Output, inter.	48 kWm (64 HP)
Output, cont.	44 kWm (59 HP)
Cylinders	Three
Bore X Stroke	106.5 mm X 110 mm 4.2" X 4.3"
Displacement	2.9 L (177 in <sup>3</sup> )
Compression ratio	16.9:1
Engine weight (dry)	400 kg (882 lb)

Refer to engine performance curve for more information.

## GENERATOR SET SPECIFICATIONS

Model	JDS40-T4
Estimated genset weight	833 kg (1837 lb)
Prime rating	40 kW <sub>e</sub>
Standby rating	44 kW <sub>e</sub>
Voltages*	208V standard
Operating speed	1800 rpm
Phase	Three

\*Alternative voltages available.

Refer to Frontier Power Products for more information.

## A.C. ALTERNATOR

Manufacturer	Newage/Stamford
Model	S1L2-R41
Control system	Self excited
Voltage Regulation	AS540 +/-1%
Rated power factor	0.8
Winding Leads	12
Frequency	60 Hz
Temp. Rise	105C/40C
Alternator weight	205 kg (452 lb)

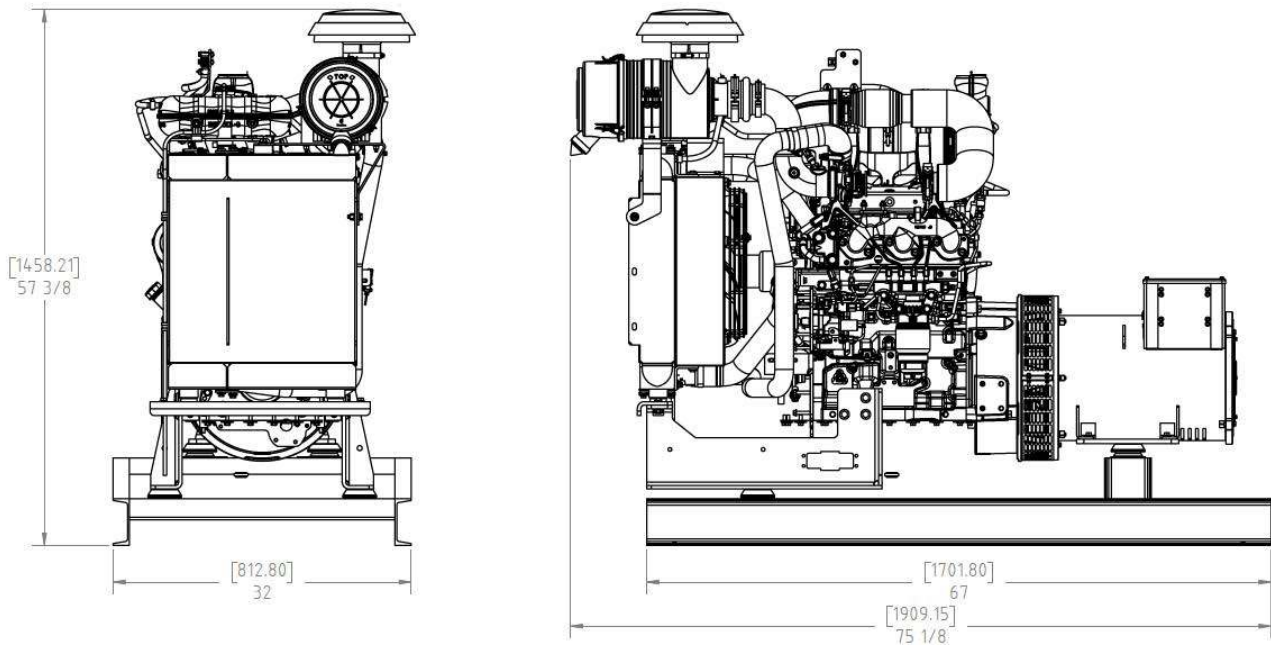
Refer to alternator spec sheet for more information.

## STANDARD CONTROLS

- Deep Sea Electronics DSE6110 MKIII digital start panel with all engine parameters, DPF status, and safety shutdowns.
- Panel mounted facing service side (space permitting) or rear on top of alternator.
- Electric fuel transfer and priming pump (12VDC).
- Battery rack and cables (no battery) for 12 VDC starting system.

\*\*Specifications are subject to change without notice and should be used as a reference only\*\*

## DIMENSIONAL DRAWING



**\*\*Dimensions subject to change without notice\*\***  
**\*\*Dimensions are in format in [mm]\*\***

### STANDARD ACCESSORIES/ NOTES

- Standard structural steel frame welded with four captive vibration isolator mounts.
- Control panel mounted on service side or rear at or near chest height.
- Control panel comes with heated display to allow cold weather operation down to -40C.
- Battery rack attached to steel frame.
- Unit may require derate dependent on ambient conditions such as >50C or >2896m altitude as well unit installation conditions.

### CUSTOMIZATIONS

- Fuel tank sub-frame or day tank.
- Long Run Oil System™ Package
- Standard and custom enclosures (requires alternative frame).
- Transport Canada approved trailer base.
- Custom electrical distribution.
- Remote diagnostics and communication.
- Remote control panel mounting.
- Alternative output ratings, voltages and frequencies available (dependent on engine).

[WWW.FRONTIERPOWER.COM](http://WWW.FRONTIERPOWER.COM)

#### Delta, BC:

(604) 946-5531

TOLL-FREE: 1 877 946-5531

#### Calgary, AB

(403) 720-3735

TOLL-FREE: 1 877 720-3735

#### Edmonton, AB

(780) 455-2260

TOLL-FREE: 1 877 455-2260

#### Winnipeg, MB

(204) 949-1526

TOLL-FREE: 1 877 949-1526