

4

3

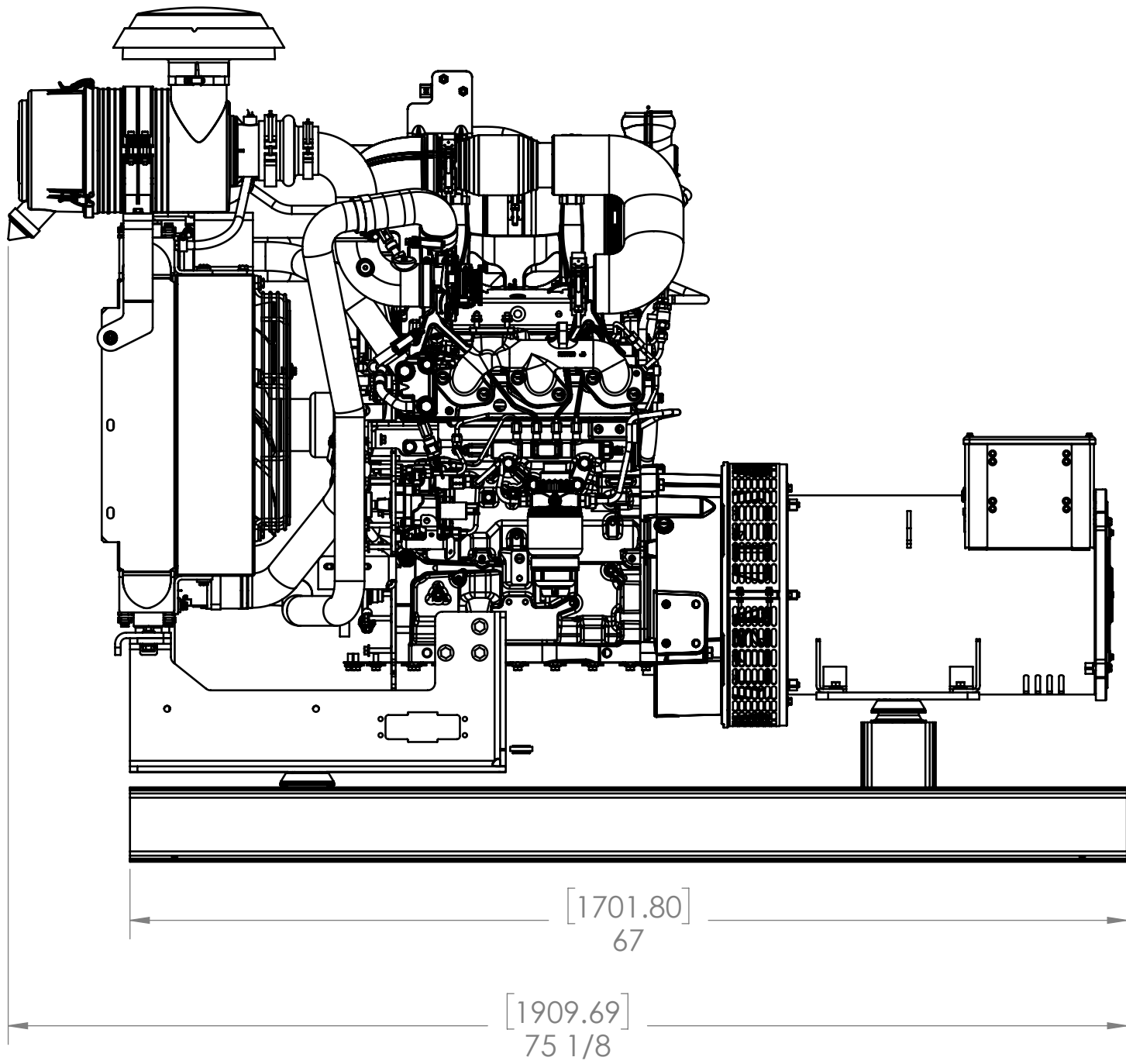
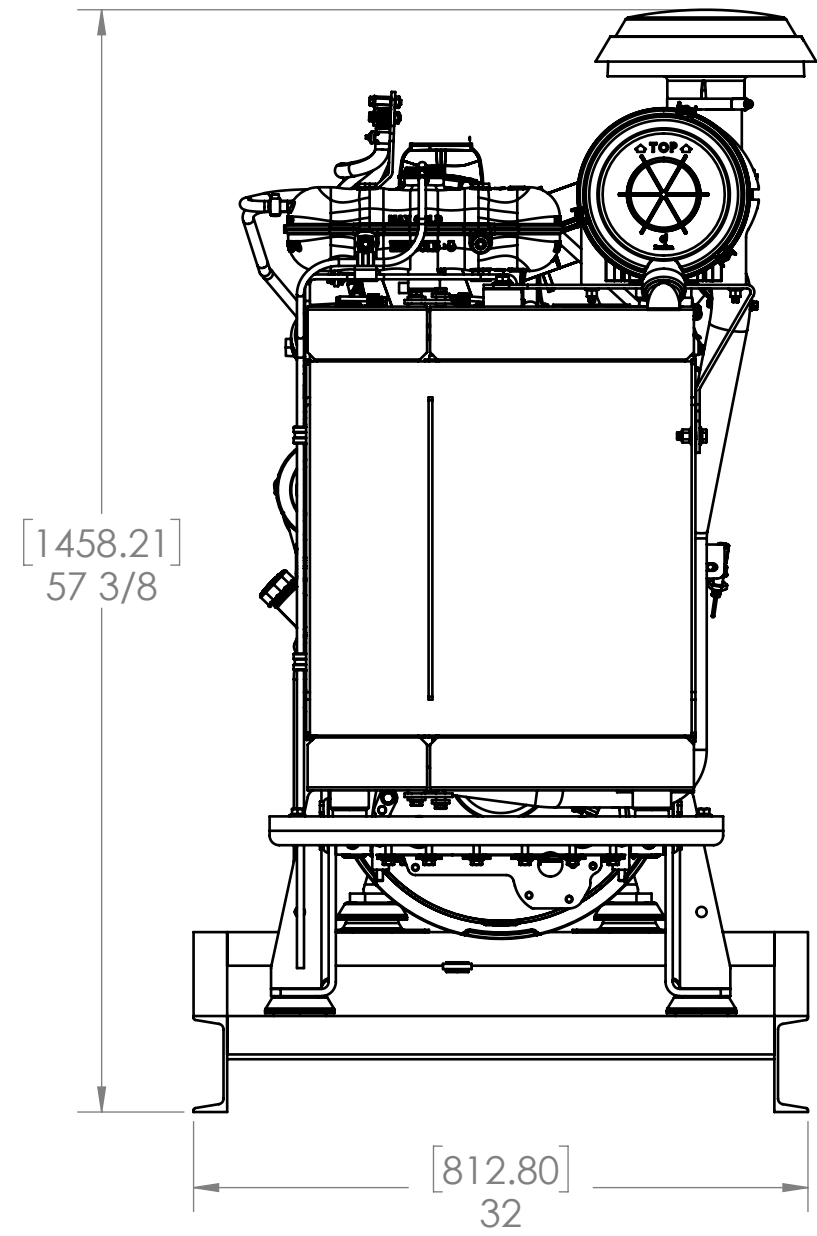
2

1

REVISIONS			
REV.	DESCRIPTION	DATE	APPROVED
1	INITIAL RELEASE	12/8/2020	-

B

B



A

A

MASS: 1903 LB

DIMENSIONS SUBJECT TO CHANGE WITHOUT NOTICE
DIMENSIONS IN FORMAT IN [MM]

UNLESS OTHERWISE SPECIFIED:

UNITS: INCHES
TOLERANCES:

X	± 0.1
X.X	± 0.05
X.XX	± 0.01
X.XXX	± 0.005
X/X	± 1/32
ANGULAR	± 1°

Information in the document is proprietary and is not to be reproduced, distributed, or disclosed except as specifically authorized in writing by Frontier Power Products ULC.

Frontier
POWER PRODUCTS

www.frontierpower.com

Delta, BC, Canada 1-877-946-5531
Edmonton, AB, Canada 1-877-455-2260
Calgary, AB, Canada 1-877-720-3735
Winnipeg, MB, Canada 1-877-949-1526

TITLE: JDS50-T4	
DWG. NO. FGA-181211	REV 1
DRAWN:	DATE:
CHECKED:	DATE:
APPROVED:	DATE:
WEIGHT:	SCALE: 1:10 SHEET: 1/1

4

3

2

1