

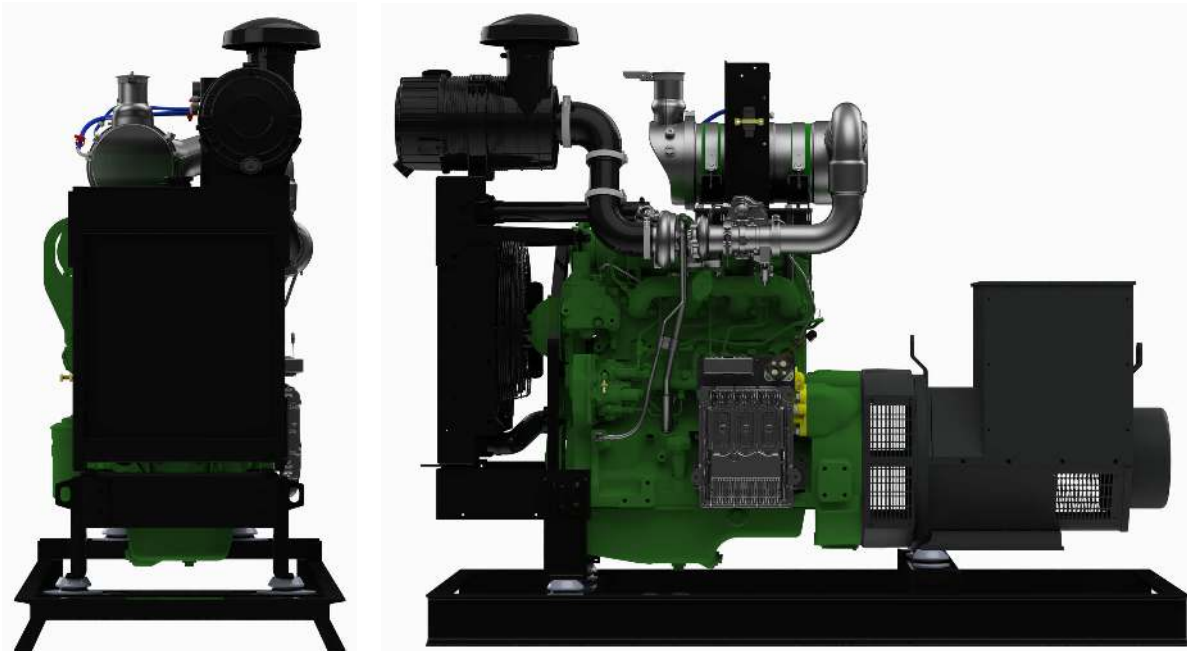


JOHN DEERE

STAMFORD

www.frontierpower.com

JDS50-T4L



ENGINE

| | |
|---------------------|--------------------------------|
| Manufacturer | John Deere |
| Model | 4045TFG03 |
| Output, inter. | 55 kWm (74 HP) |
| Output, cont. | 50 kWm (68 HP) |
| Cylinders | Four |
| Bore X Stroke | 106 mm X 127 mm 4.2" X 5.0" |
| Displacement | 4.5 L (275 in ³) |
| Compression ratio | 19.0:1 |
| Engine weight (dry) | 510 kg (1124 lb) |

Refer to engine performance curve for more information.

A.C. ALTERNATOR

| | |
|--------------------|-----------------|
| Manufacturer | Newage/Stamford |
| Model | UC1224E |
| Control system | Self excited |
| Voltage Regulation | AS440 +/-1% |
| Rated power factor | 0.8 |
| Winding Leads | 12 |
| Frequency | 60 Hz |
| Temp. Rise | 105C/40C |
| Alternator weight | 309 kg (681 lb) |

Refer to alternator spec sheet for more information.

GENERATOR SET SPECIFICATIONS

| | |
|----------------------------------|--------------------|
| Model | JDS50-T4L |
| Estimated genset weight | 1089 kg (2400 lb) |
| Prime rating | 45 kW _e |
| Standby rating | 50 kW _e |
| Voltages* | 208V standard |
| Operating speed | 1800 rpm |
| Phase | Three |
| *Alternative voltages available. | |

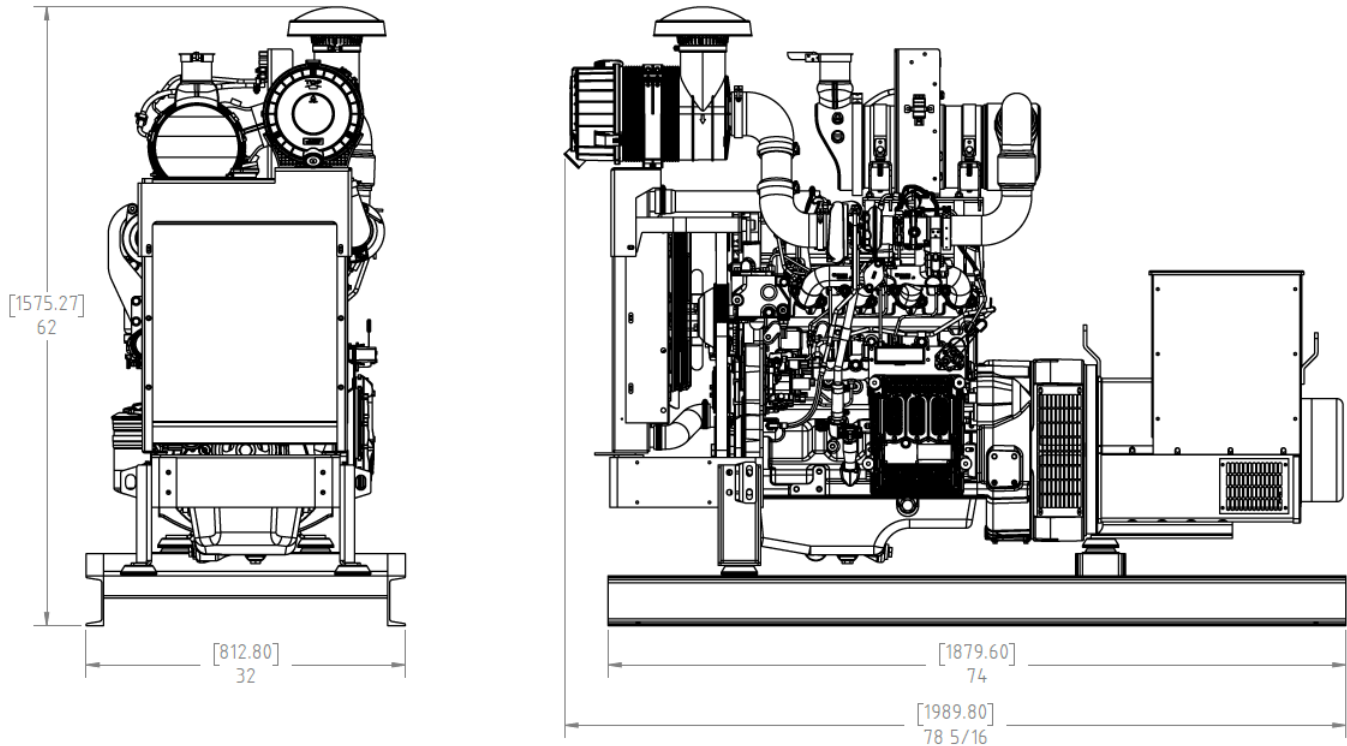
Refer to Frontier Power Products for more information.

STANDARD CONTROLS

- Deep Sea Electronics DSE6110 MKIII digital start panel with all engine parameters, DPF status, and safety shutdowns.
- Panel mounted facing service side (space permitting) or rear on top of alternator.
- Electric fuel transfer and priming pump (12VDC).
- Battery rack and cables (no battery) for 12 VDC starting system.

Specifications are subject to change without notice and should be used as a reference only

DIMENSIONAL DRAWING



****Dimensions subject to change without notice****

****Dimensions are in format in [mm]****

STANDARD ACCESSORIES/ NOTES

- Standard structural steel frame welded with four captive vibration isolator mounts.
- Control panel mounted on service side or rear at or near chest height.
- Control panel comes with heated display to allow cold weather operation down to -40C.
- Battery rack attached to steel frame.
- Unit may require derate dependent on ambient conditions such as >50C or >1676m altitude as well unit installation conditions.

CUSTOMIZATIONS

- Fuel tank sub-frame or day tank.
- Long Run Oil System™ Package
- Standard and custom enclosures (requires alternative frame).
- Transport Canada approved trailer base.
- Custom electrical distribution.
- Remote diagnostics and communication.
- Remote control panel mounting.
- Alternative output ratings, voltages and frequencies available (dependent on engine).

WWW.FRONTIERPOWER.COM

Delta, BC:

(604) 946-5531

TOLL-FREE: 1 877 946-5531

Calgary, AB

(403) 720-3735

TOLL-FREE: 1 877 720-3735

Edmonton, AB

(780) 455-2260

TOLL-FREE: 1 877 455-2260

Winnipeg, MB

(204) 949-1526

TOLL-FREE: 1 877 949-1526