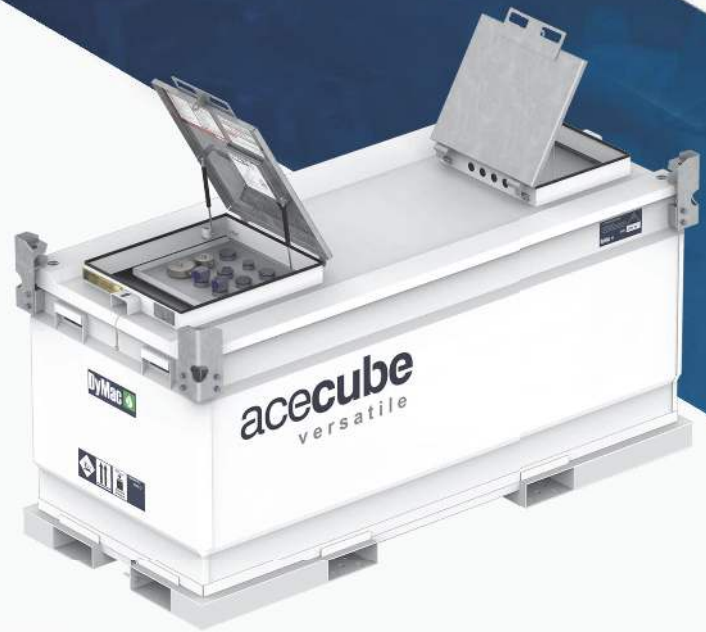


acecube

versatile

Model (ACV-2000L / 528G)

The AceCube Versatile ACV-2000L/528G is designed for the safe and secure transporting and storage of various industrial lubricants and hazardous liquids worldwide.



Specifications

	Metric	US	Imperial
Capacity	1889 Litres	499 Gallons	416 Gallons
Length	2613 mm	102 13/16"	102 13/16"
Width	1179 mm	46 6/16"	46 6/16"
Height	1296 mm	51"	51"
Outer Tank Thickness	3 mm	1/16"	1/16"
Inner Tank Thickness	4 mm	2/16"	2/16"
Weight, Tare	896 kg	1975 lbs, 5oz	1975 lbs, 5oz
Weight, Laden	2747 kg	6056 lbs, 02oz	6056 lbs, 02oz
Safe Fuel Fill Level	1795 Litres	474 Gallons	395 Gallons

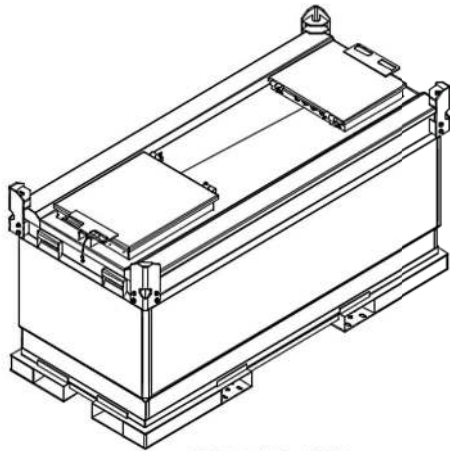
Approvals and Certifications

UK & Europe

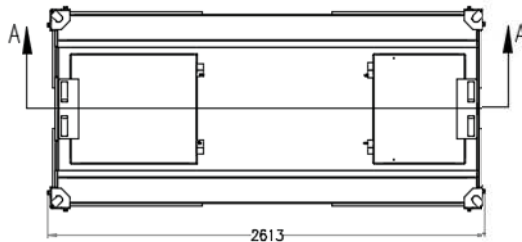
- ✓ Trade Mark Certificate Europe
- ✓ Trade Mark Certificate UK
- ✓ (IBC) Intermediate Bulk Containment
- ✓ UN 31 A/Y
- ✓ Adhering to ADR regulations
- ✓ Lifting when Full Certified
- ✓ PPG2 & PPG26
- ✓ Vibration Tested
- ✓ UL142
- ✓ ULCS601-14
- ✓ Patent no: GB2502198

USA & Canada

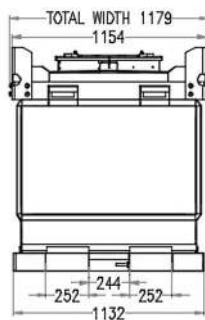
- ✓ (IBC) Intermediate Bulk Containment
- ✓ TSSA B1390 ON - 2006 (Optional)
- ✓ UN 31 A/Y
- ✓ DOT USA
- ✓ DOT Canada
- ✓ Lifting when Full Certified
- ✓ Vibration Tested
- ✓ UL142
- ✓ ULCS601-14
- ✓ Patent no: GB2502198



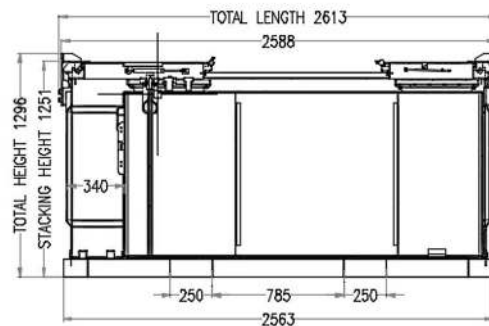
ISOMETRIC VIEW



PLAN VIEW



FRONT VIEW



SECTION A-A

The range has an extra large equipment compartment area that can house a variety of accessories.



DISPENSING NOZZLE VARIATIONS



HOSES WITH ISO QUICK RELEASE COUPLERS



UP TO 10M OR 32FT RETRACTABLE HOSE REELS



DIGITAL FLOW METERS



ENGINE DRIVEN OR ELECTRIC PUMPS



IN LINE PARTIAL SEPARATION FILTERS