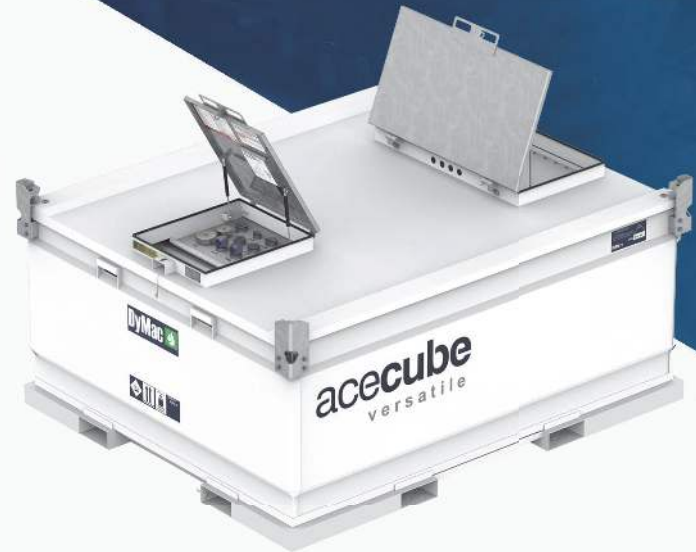


acecube

versatile

Model (ACV-4500L / 1188G)

The AceCube Versatile ACV-4500L/1188G is designed for the safe and secure transporting and storage of various industrial lubricants and hazardous liquids worldwide.



Specifications

	Metric	US	Imperial
Capacity	4500 Litres	1188 Gallons	990 Gallons
Length	2790 mm	109 13/16"	109 13/16"
Width	2300 mm	90 8/16"	90 8/16"
Height	1296 mm	51"	51"
Outer Tank Thickness	3 mm	1/16"	1/16"
Inner Tank Thickness	4 mm	2/16"	2/16"
Weight, Tare	1490 kg	3248 lbs, 14oz	3248 lbs, 14oz
Weight, Laden	5765 kg	12709 lbs, 10oz	12709 lbs, 10oz
Safe Fuel Fill Level	4275 Litres	1129 Gallons	940 Gallons

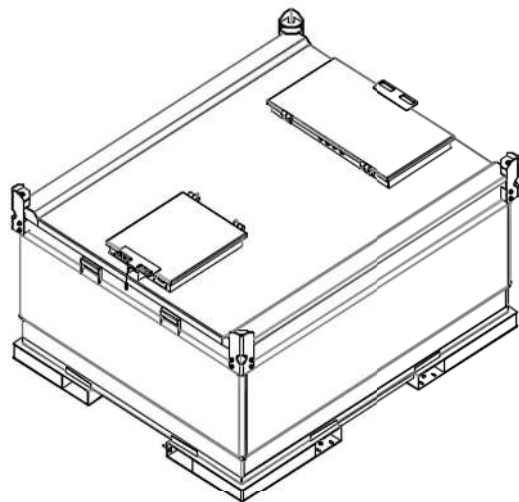
Approvals and Certifications

UK & Europe

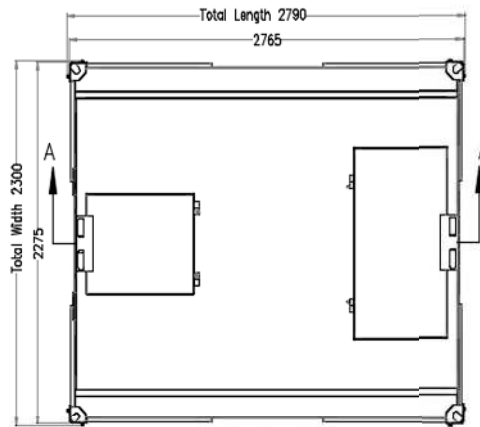
- ✓ Trade Mark Certificate Europe
- ✓ Trade Mark Certificate UK
- ✓ (IBC) Intermediate Bulk Containment
- ✓ UN 31 A/Y
- ✓ Adhering to ADR regulations
- ✓ Lifting when Full Certified
- ✓ PPG2 & PPG26
- ✓ Vibration Tested
- ✓ UL142
- ✓ ULCS601-14
- ✓ Patent no: GB2502198

USA & Canada

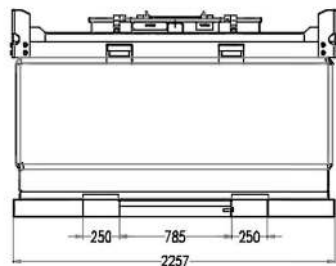
- ✓ (IBC) Intermediate Bulk Containment
- ✓ TSSA B1390 ON - 2006 (Optional)
- ✓ UN 31 A/Y
- ✓ DOT USA
- ✓ DOT Canada
- ✓ Lifting when Full Certified
- ✓ Vibration Tested
- ✓ UL142
- ✓ ULCS601-14
- ✓ Patent no: GB2502198



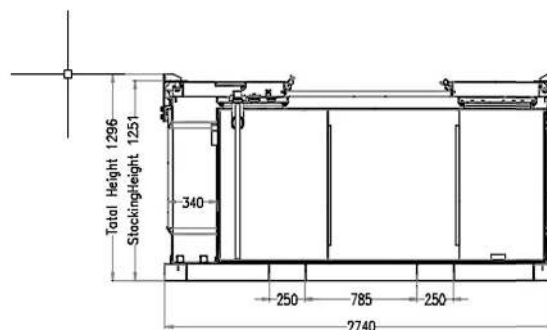
ISOMETRIC VIEW



PLAN VIEW



FRONT ELEVATION



SECTION A-A

The range has an extra large equipment compartment area that can house a variety of accessories.



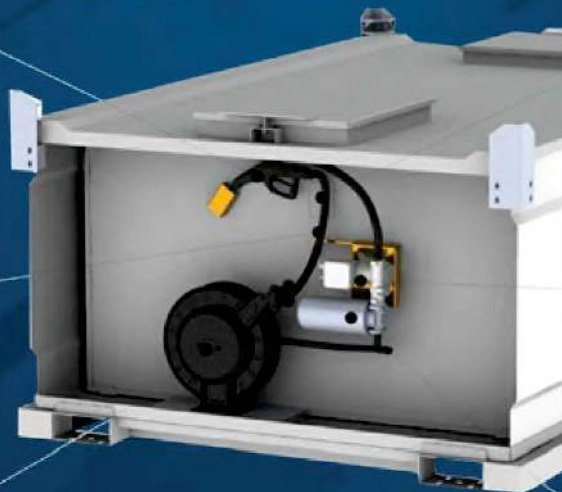
DISPENSING NOZZLE VARIATIONS



HOSES WITH ISO QUICK RELEASE COUPLERS



UP TO 10M OR 32FT RETRACTABLE HOSE REELS



DIGITAL FLOW METERS



ENGINE DRIVEN OR ELECTRIC PUMPS



IN LINE PARTIAL SEPARATION FILTERS