

acecube

versatile

Model (ACV-950L / 250G)

The AceCube Versatile ACV-950L/250G tank is designed for the safe and secure transporting and storage of various industrial lubricants and hazardous liquids worldwide.



Specifications

	Metric	US	Imperial
Capacity	922 Litres	244 Gallons	203 Gallons
Length	1643 mm	64 11/16"	64 11/16"
Width	1099 mm	43 4/16"	43 4/16"
Height	1296 mm	51"	51"
Outer Tank Thickness	3 mm	1/16"	1/16"
Inner Tank Thickness	4 mm	2/16"	2/16"
Weight, Tare	593 kg	1307 lbs, 5oz	1307 lbs, 5oz
Weight, Laden	1497 kg	3300 lbs, 5oz	3300 lbs, 5oz
Safe Fuel Fill Level	876 Litres	231 Gallons	193 Gallons

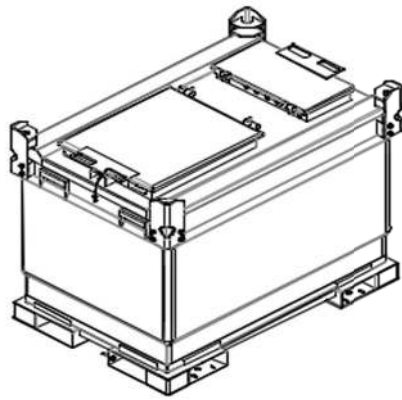
Approvals and Certifications

UK & Europe

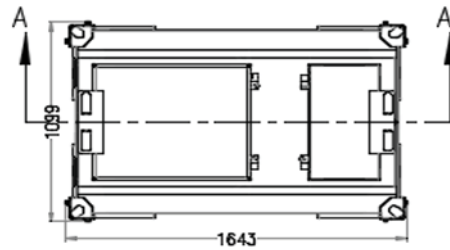
- ✓ Trade Mark Certificate Europe
- ✓ Trade Mark Certificate UK
- ✓ (IBC) Intermediate Bulk Containment
- ✓ UN 31 A/Y
- ✓ Adhering to ADR regulations
- ✓ Lifting when Full Certified
- ✓ PPG2 & PPG26
- ✓ Vibration Tested
- ✓ UL142
- ✓ ULCS601-14
- ✓ Patent no: GB2502198

USA & Canada

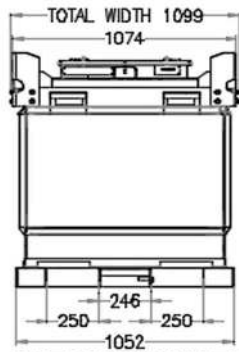
- ✓ (IBC) Intermediate Bulk Containment
- ✓ TSSA B1390 DN - 2006 (Optional)
- ✓ UN 31 A/Y
- ✓ DOT USA
- ✓ DOT Canada
- ✓ Lifting when Full Certified
- ✓ Vibration Tested
- ✓ UL142
- ✓ ULCS601-14
- ✓ Patent no: GB2502198



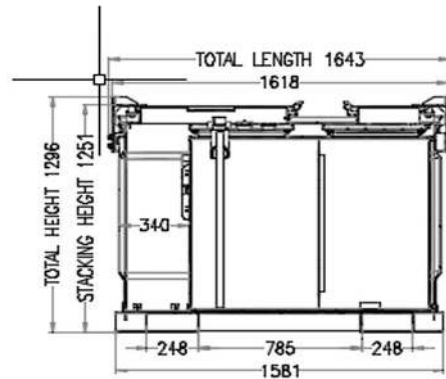
ISOMETRIC VIEW



PLAN VIEW



FRONT ELEVATION



SECTION A-A

The range has an extra large equipment compartment area that can house a variety of accessories.



DISPENSING NOZZLE VARIATIONS



HOSES WITH ISO QUICK RELEASE COUPLERS



UP TO 10M OR 32FT RETRACTABLE HOSE REELS



DIGITAL FLOW METERS



ENGINE DRIVEN OR ELECTRIC PUMPS



IN LINE PARTIAL SEPARATION FILTERS